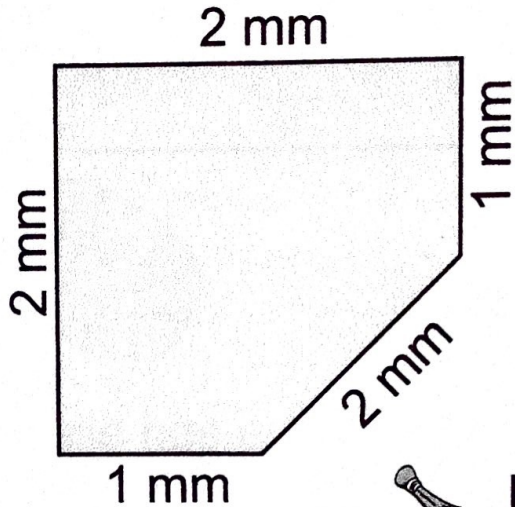


Look at the shape to the right.

Work out its perimeter.



mm
